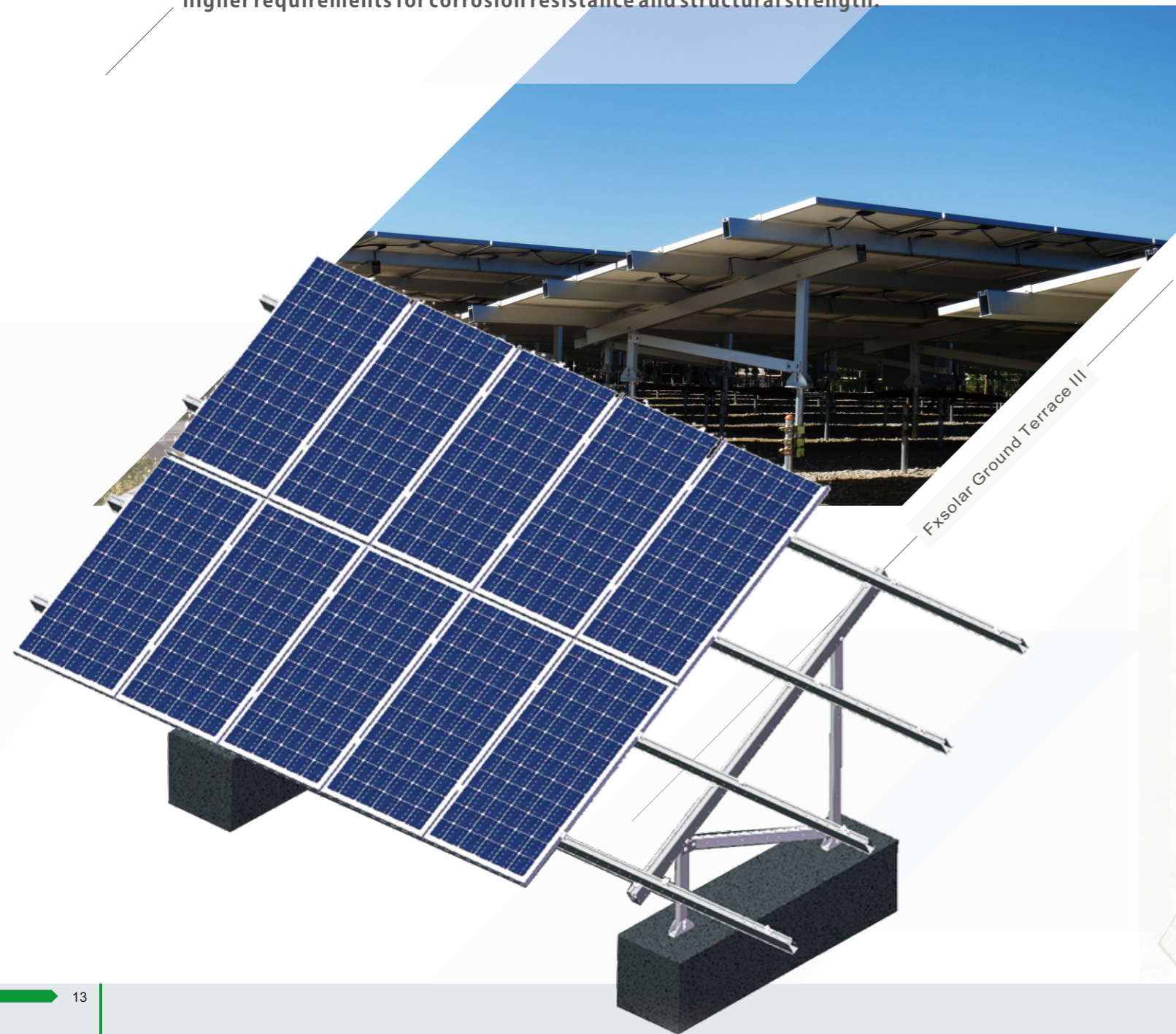


# FXSOLAR Ground Terrace III

**FXSOLAR Ground Terrace III (GT III)** is a ground solar PV mounting system developed from GT II. GT III has higher wind and snow resistance and optimized structural design, while it is also going to be pre-assembled before shipping, all of which facilitate faster and cost-effective installation. GT III is ideal for middle-large solar projects which have higher requirements for corrosion resistance and structural strength.



## FXSOLAR Ground Terrace III

### Technical Parameters

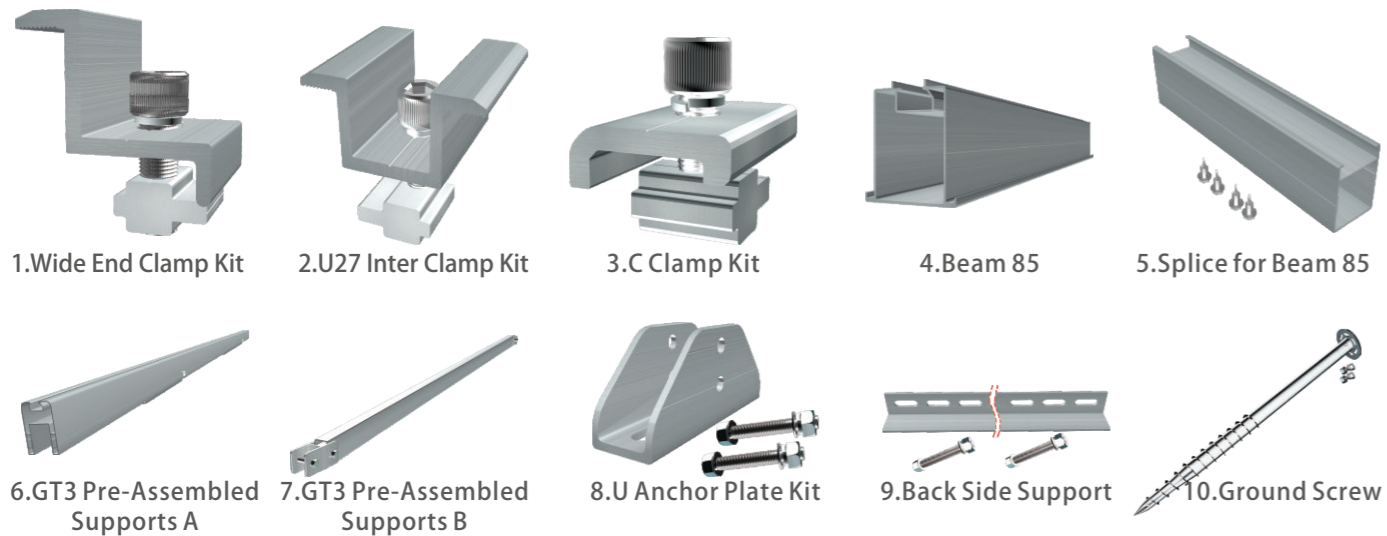
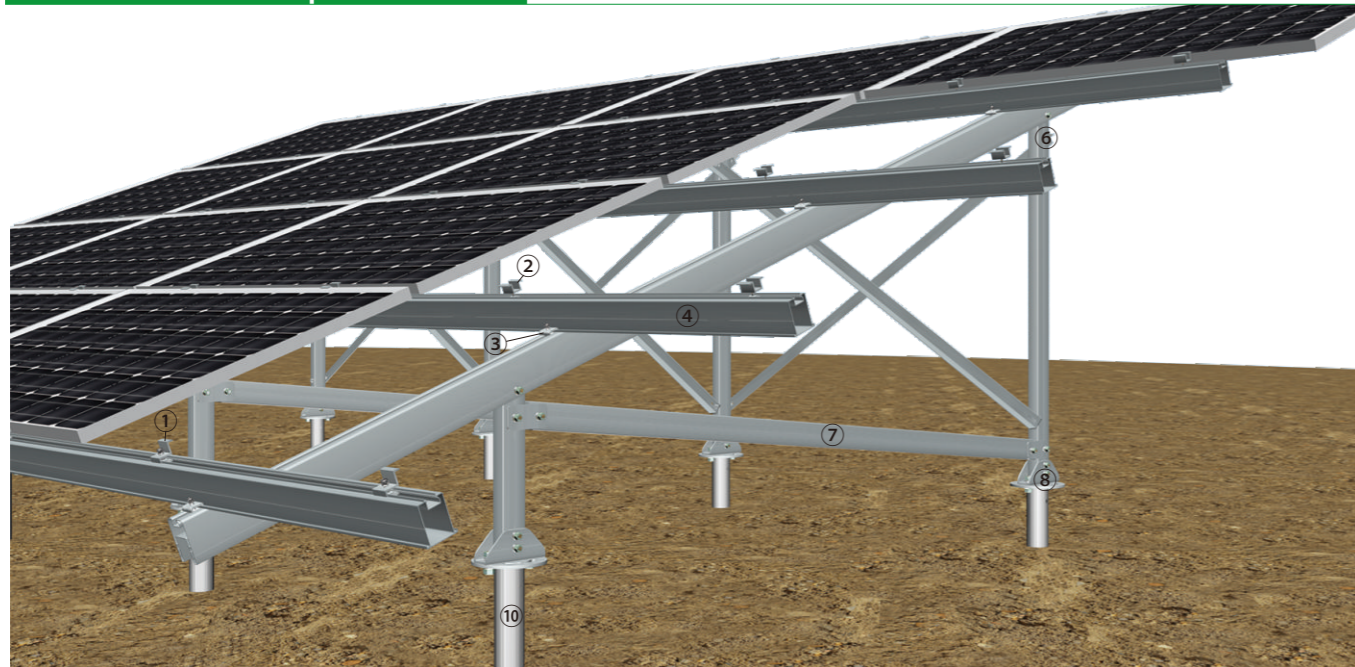
Installation Site	Ground	Wind Load	60m/s
Foundation	Concrete Base or Ground Screw	Snow Load	1.6KN/M2
Tilt Angle	5-60	Ground Clearance	500-2000mm
Applicable Module	Framed or Frameless	Module Orientation	Portrait or Landscape
Design Standard	AS/NZS 1170, DIN 1055, JIS C 8955: 2011		
	International Building Code: IBC 2009		
	California Building Code: CBC 2010		
Material	Aluminum Al6005-T5 (Anodized)	Color	Silver or Customized
Fastener	Stainless Steel SUS304	Warranty	10 Years
Small Components	Aluminum Al6005-T5 (Anodized)		

### Advantages

1. Installation time will be saved because of minimized component and the pre-assembled supports, and meanwhile no cutting or drilling is necessary during installation;
2. More choices for foundation--concrete base, concrete column, U-channel steel or ground screw;
- 3 The components and fasteners are respectively made of aluminum alloy and stainless steel, which ensures a longer service life;
4. The compact structural design ensures the reasonable utilization of the space of containers.

## FXSOLAR Ground Terrace III

### Preview on Landscape Orientation

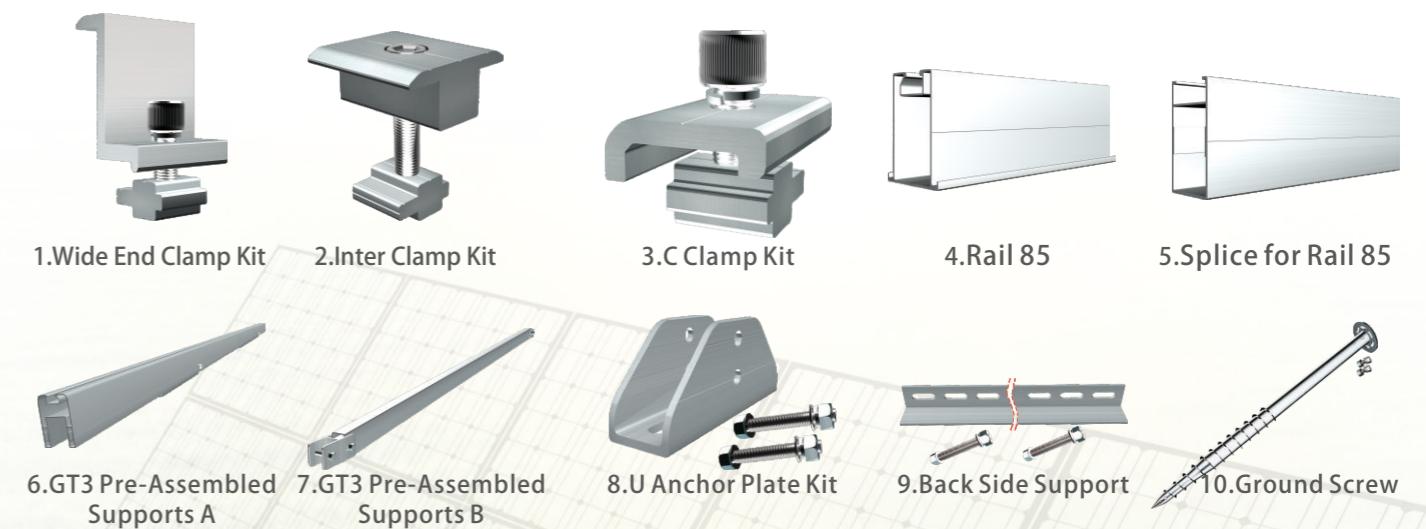
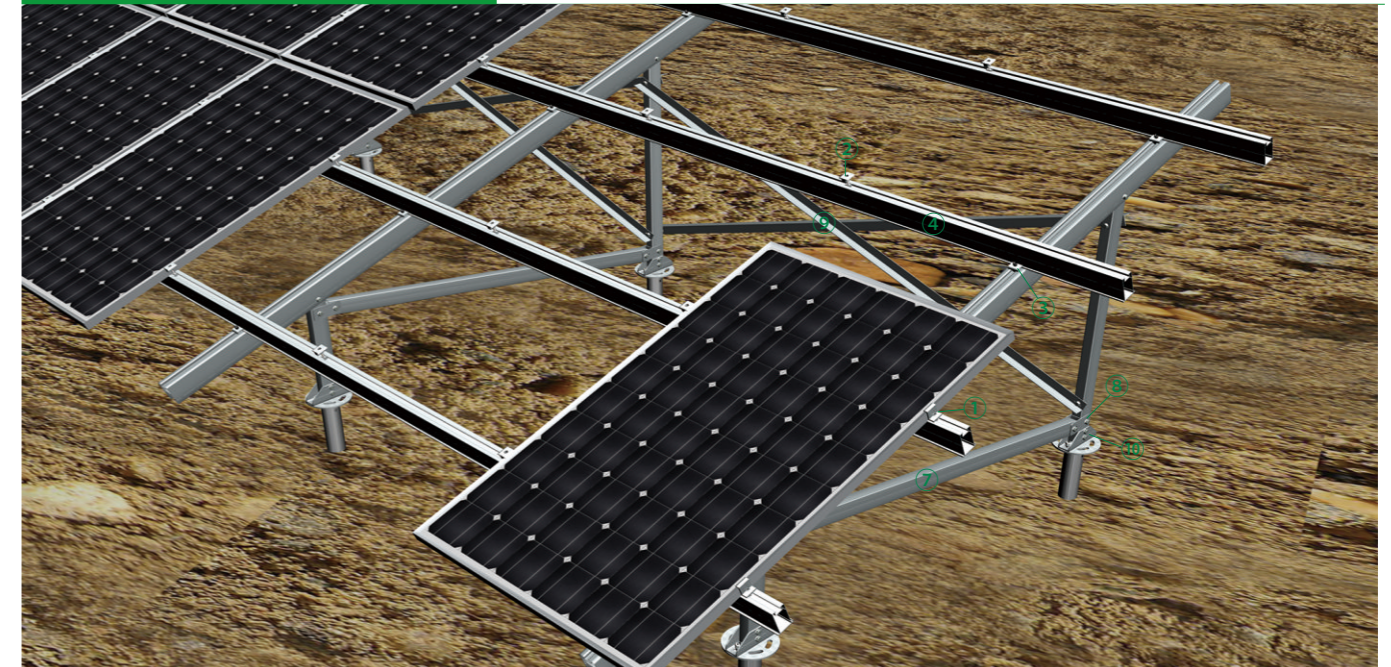


#### Component List

No.	Item	No.	Item	No.	Item
01	Wide End Clamp Kit	05	Splice for Beam 85	09	Back Side Support
02	U27 Inter Clamp Kit	06	GT3 Pre-Assembled Supports A	10	Ground Screw
03	C Clamp Kit	07	GT3 Pre-Assembled Supports B		
04	Beam 85	08	U Anchor Plate Kit		

## FXSOLAR Ground Terrace III

### Preview on Portrait Orientation



#### Component List

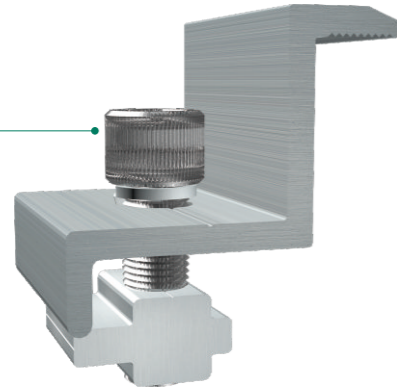
No.	Item	No.	Item	No.	Item
01	Wide End Clamp Kit	05	Splice for Rail 85	09	Back Side Support
02	Inter Clamp Kit	06	GT3 Pre-Assembled Supports A	10	Ground Screw
03	C Clamp Kit	07	GT3 Pre-Assembled Supports B		
04	Rail 85	08	U Anchor Plate Kit		

**Component Details**

**FX-BEC-ST Wide End Clamp Kit**



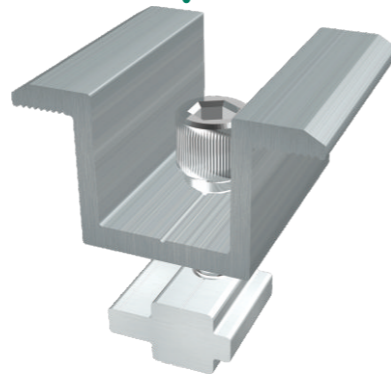
**FX-EC-ST End Clamp Kit**



**FX-IC-U27 U27 Inter Clamp Kit**



**FX-IC-ST Inter Clamp Kit**

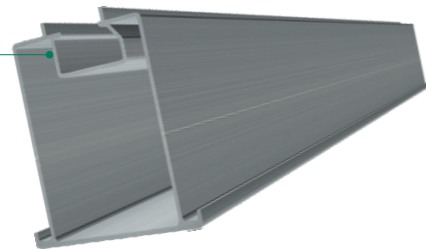


**FX-R-85 Beam 85**

Specification:  
L\*63.5\*85/L\*71\*85  
Standard Length:  
3100, 4100, 5100mm



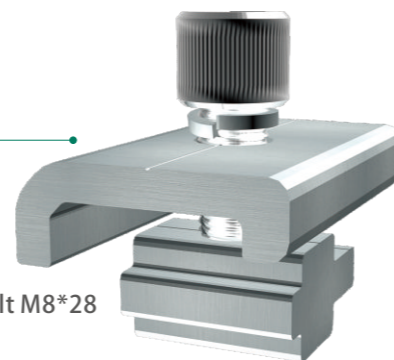
**FX-R-85 Rail 85**



**Beam 85**

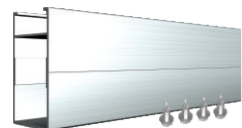
**FX-CC-T C Clamp Kit**

C Clamp  
Cross Module  
Spring Washer M8.4  
Hexagon Socket Head Bolt M8\*28

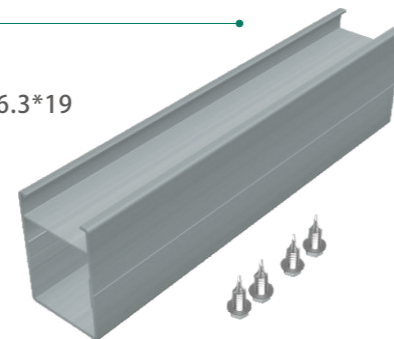


**FX-SP-B85 Splice for Beam 85**

Splice for Beam 85 L260mm  
Flange Head Self-Tapping Screw ST6.3\*19



**FX-SP-B85 Splice for Rail 85**



**Component Details**

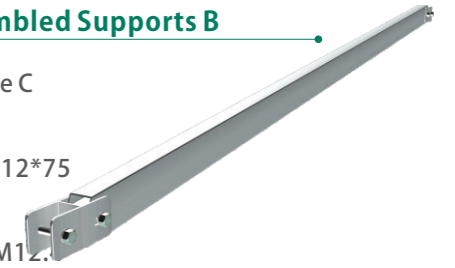
**FX-GT3-SA GT3 Pre-Assembled Supports A**

Pro U Beam  
GT3 Square Tube A  
GT3 Square Tube B  
Hexagon Bolt M12\*90  
Washer M12  
Spring Washer M12.4  
Hexagon Nut M12



**FX-GT3-SA GT3 Pre-Assembled Supports B**

GT3 Square Tube C  
Pro-H Joints  
Hexagon Bolt M12\*75  
Washer M12  
Spring Washer M12.4  
Hexagon Nut M12



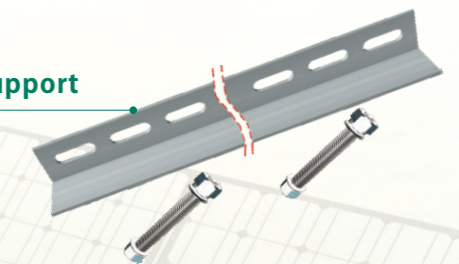
**FX-GT3-AP U Anchor Plate Kit**

U Anchor Plate Kit  
Hexagon Bolt M12\*75



**FX-GT3-AA Back Side Support**

L\*42\*3  
M10\*90 Hexagon Bolt



**FX-GS-01 Ground Screw**

Standard Length: 1600mm  
M14\*45 Hexagon Bolt

